



HM14H1 Load Cell

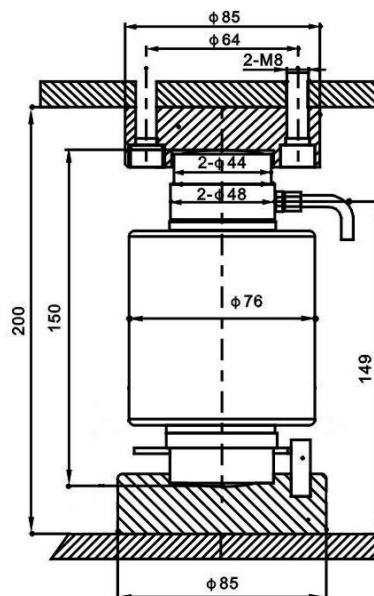
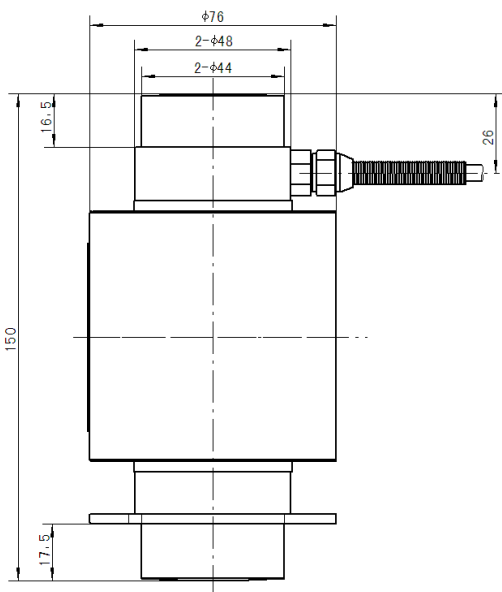
Features:

- ◆ Capacity: 10-50t
- ◆ High Accuracy
- ◆ Alloy steel construction
- ◆ Electronic hermetic sealing, IP68 protection
- ◆ Easy installation

Specification:

Capacity	t	10/20/30/40/50
Accuracy		C3
Maximum number of verification intervals	n_{max}	3000
Minimum load cell verification interval	V_{min}	$E_{max}/10000$
Combined error	%FS	0.020
Creep	(%FS/30min)	0.016
Output sensitivity	(mv/v)	2.0 ± 0.002
Input resistance	(Ω)	700 ± 20
Output resistance	(Ω)	706 ± 7
Insulation resistance	(M Ω)	$\geq 5000(50VDC)$
Zero balance	(%FS)	1.0
Temperature effect on zero	%FS/ $10^{\circ}C$	0.020
Temperature effect on sensitivity	%FS/ $10^{\circ}C$	0.020
Temperature, compensated	($^{\circ}C$)	-10~+40
Temperature, operating	($^{\circ}C$)	-35~+70
Excitation, recommended	(V)	5~12(DC)
Excitation, max	(V)	18(DC)
Safe overload	(%FS)	150
Ultimate overload	(%FS)	250

Outline Dimension (mm)



Wiring:

*4 conductor cable

*Standard cable length:16m

