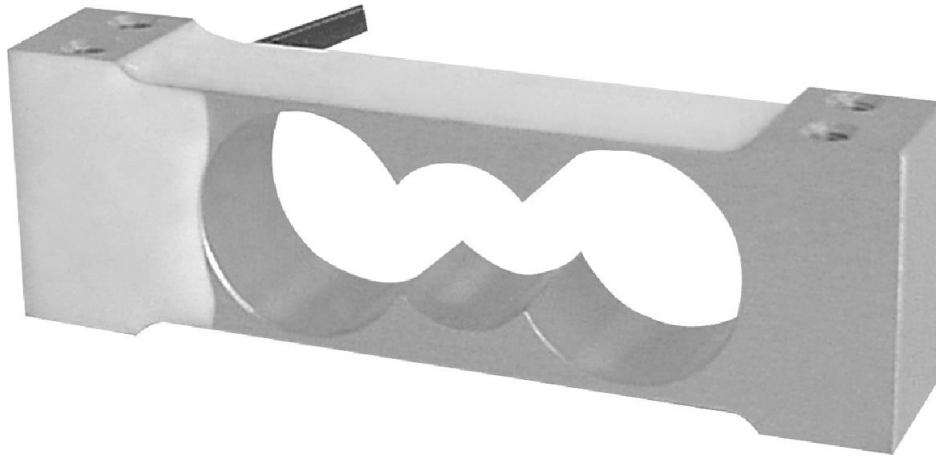


# Type L6J1 Load Cell



## Short description



- Aluminium-alloy IP65 single point load cell.
- Colourless anodized
- Suitable for counting scales, balances, pricing scales etc
- Maximum platform size: 200 x 200 mm

Non OIML approved

## Available models

| Capacity | Accuracy | Full article description |
|----------|----------|--------------------------|
| 0.3kg    | C3D      | L6J1-C3D-0.3kg-0.45B     |
| 0.4kg    | C3D      | L6J1-C3D-0.4kg-0.45B     |
| 0.5kg    | C3D      | L6J1-C3D-0.5kg-0.45B     |
| 0.6kg    | C3D      | L6J1-C3D-0.6kg-0.45B     |
| 1kg      | C3D      | L6J1-C3D-1kg-0.45B       |
| 3kg      | C3D      | L6J1-C3D-3kg-0.45B       |

Specifications and dimensions are subject to change without notice and do not constitute any liability whatsoever.

# Type L6J1 Load Cell

## Detailed specifications L6J1

|  |                         |                          |
|--|-------------------------|--------------------------|
| Accuracy class                         |                         | C3D                      |
| Output sensitivity ( = FS )            | mV/V                    | 1.0 ± 0.1                |
| Maximum capacity ( E <sub>max</sub> )  | kg                      | 0.3, 0.4, 0.5, 0.6, 1, 3 |
| Max.number of load cell intervals      | n <sub>LC</sub>         | 2500                     |
| Ratio of min. LC verification interval | $Y = E_{max} / V_{min}$ | 5000                     |
| Combined Error                         | %FS                     | ≤± 0.0280                |
| Minimum dead load                      | Of E <sub>max</sub>     | 0%                       |
| Safe overload                          | of E <sub>max</sub>     | 150 %                    |
| Ultimate overload                      | of E <sub>max</sub>     | 300 %                    |
| Zero balance                           | of FS                   | < ± 2.0 %                |
| Excitation, recommended voltage        | V                       | 5 ~ 12                   |
| Excitation maximum                     | V                       | 18                       |
| Input resistance                       | Ω                       | 394 ± 6                  |
| Output resistance                      | Ω                       | 350 ± 3                  |
| Insulation resistance                  | MΩ                      | ≥5000 ( at 50VDC )       |
| Compensated temperature                | °C                      | -10...+40                |
| Operating temperature                  | °C                      | -35...+65                |
| Storage temperature                    | °C                      | -40...+70                |
| Element material                       |                         | Aluminium                |
| Ingress Protection (acc. to EN 60529)  |                         | IP65                     |
| Recommended torque on fixation         | Nm                      | M3: 1.5                  |

## Wiring

### Wiring:

Shielded, 4 conductor cable.

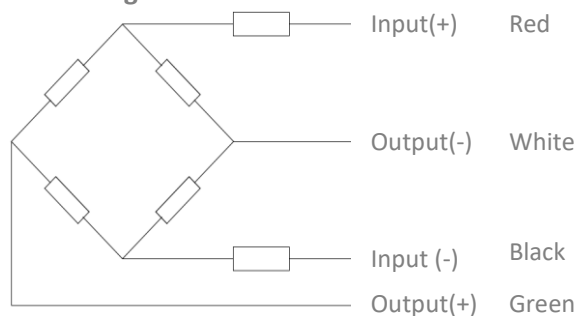
Cable Diameter: Ø3mm

Standard cable length: 0.45m

Shield not connected to element.

Cable jacket is PVC.

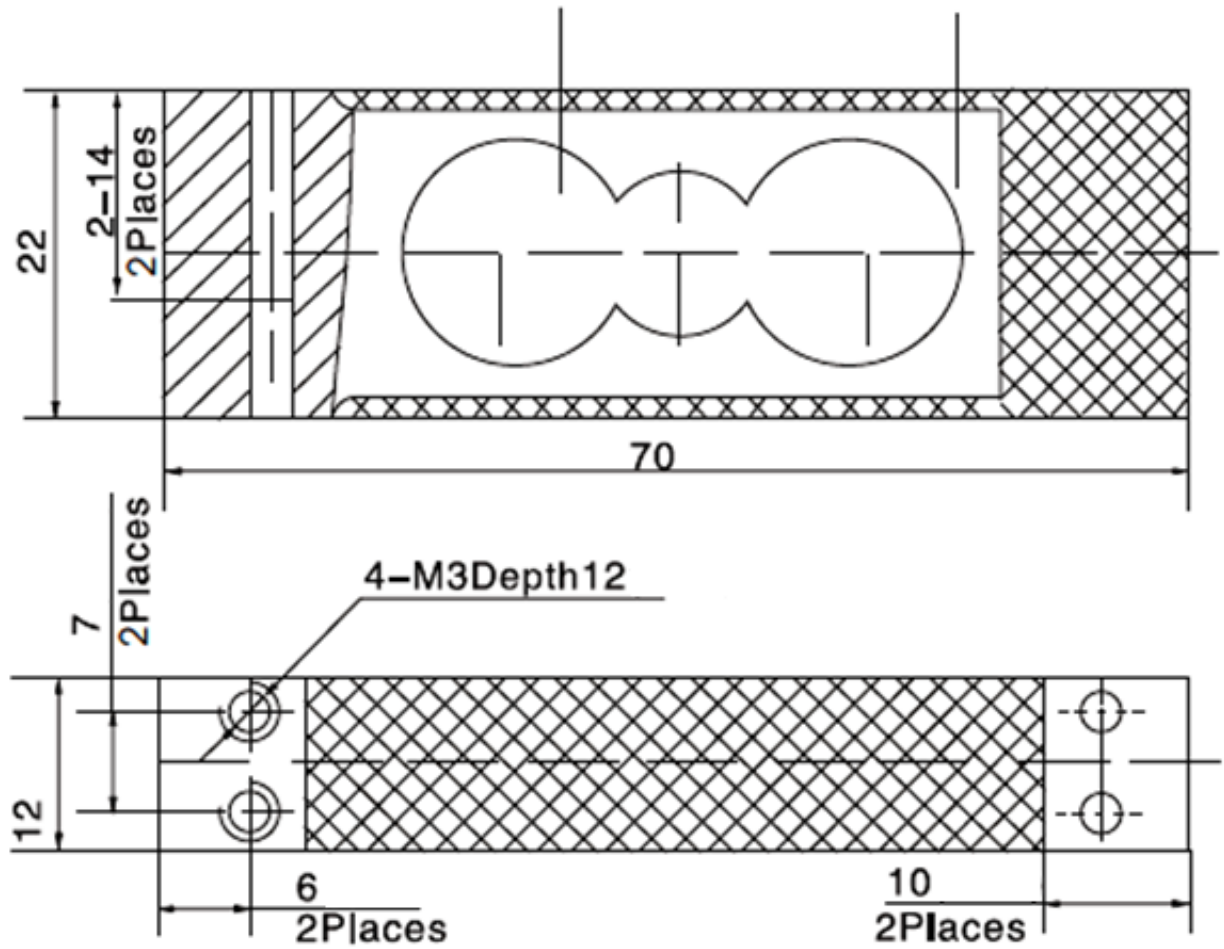
### 4-wire diagram



Specifications and dimensions are subject to change without notice and do not constitute any liability whatsoever.

# Type L6J1 Load Cell

Dimensions in mm



Specifications and dimensions are subject to change without notice and do not constitute any liability whatsoever.