


## Short description



- Aluminium-alloy IP65 single point load cell.
- Colourless anodized
- Suitable for single and double load cell structured platform scales.
- Maximum platform size: 800 x 800 mm

 test certificate no. D09-10.23  
 C of C no R60/2000-DE1-10.11

 Certificate no. 12-006

## Available models

Capacity	Accuracy	Full article description
50kg	C3/C4	L6T-C3/C4-50kg-3B6
75kg	C3/C4	L6T-C3/C4-75kg-3B6
100kg	C3/C4	L6T-C3/C4-100kg-3B6
150kg	C3/C4	L6T-C3/C4-150kg-3B6
200kg	C3/C4	L6T-C3/C4-200kg-3B6
250kg	C3/C4	L6T-C3/C4-250kg-3B6
300kg	C3	L6T-C3-300kg-3B6
500kg	C3	L6T-C3-500kg-3B6
635kg	C3	L6T-C3-635kg-3B6
1000kg	C3	L6T-C3-1000kg-3B6

Specifications and dimensions are subject to change without notice and do not constitute any liability whatsoever.

# Type L6T Load Cell

## Detailed specifications L6T

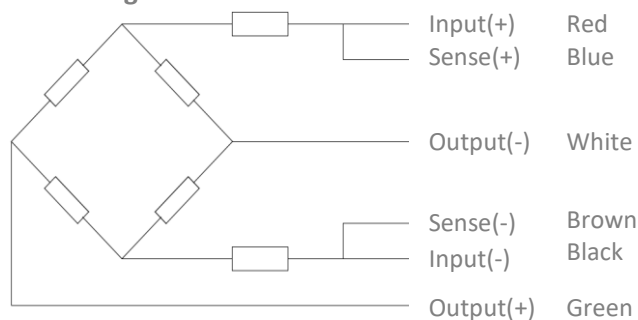
Accuracy class		OIML R60 C3		OIML R60 C4
Output sensitivity ( = FS )	mV/V	2.0 ± 0.2		
Maximum capacity ( E <sub>max</sub> )	kg	50, 75, 100, 150, 200, 250	300, 500, 635, 1000	50, 75, 100, 150, 200, 250
Max.number of load cell intervals	n <sub>LC</sub>	3000		4000
Ratio of min. LC verification interval	Y = E <sub>max</sub> / V <sub>min</sub>	6500	15000	6500
Combined Error	%FS	± 0.0230		± 0.0140
Minimum dead load	Of E <sub>max</sub>	0%		
Safe overload	of E <sub>max</sub>	150 %		
Ultimate overload	of E <sub>max</sub>	300 %		
Zero balance	of FS	< ± 2.0 %		
Excitation, recommended voltage	V	5 ~ 12		
Excitation maximum	V	18		
Input resistance	Ω	409 ± 6		
Output resistance	Ω	350 ± 3		
Insulation resistance	MΩ	≥5000 ( at 50VDC )		
Compensated temperature	°C	-10 ~ +40		
Operating temperature	°C	-20 ~ +50		
Storage temperature	°C	-40 ~ +70		
Element material		Aluminium		
Ingress Protection (acc. to EN 60529)		IP65		
Recommended torque on fixation	Nm	M8: 25		

## Wiring

### Wiring:

Shielded, 6 conductor cable.  
 Cable diameter: Ø5mm.  
 Standard cable length: 3m.  
 Shield not connected to element.  
 Cable jacket in PVC.

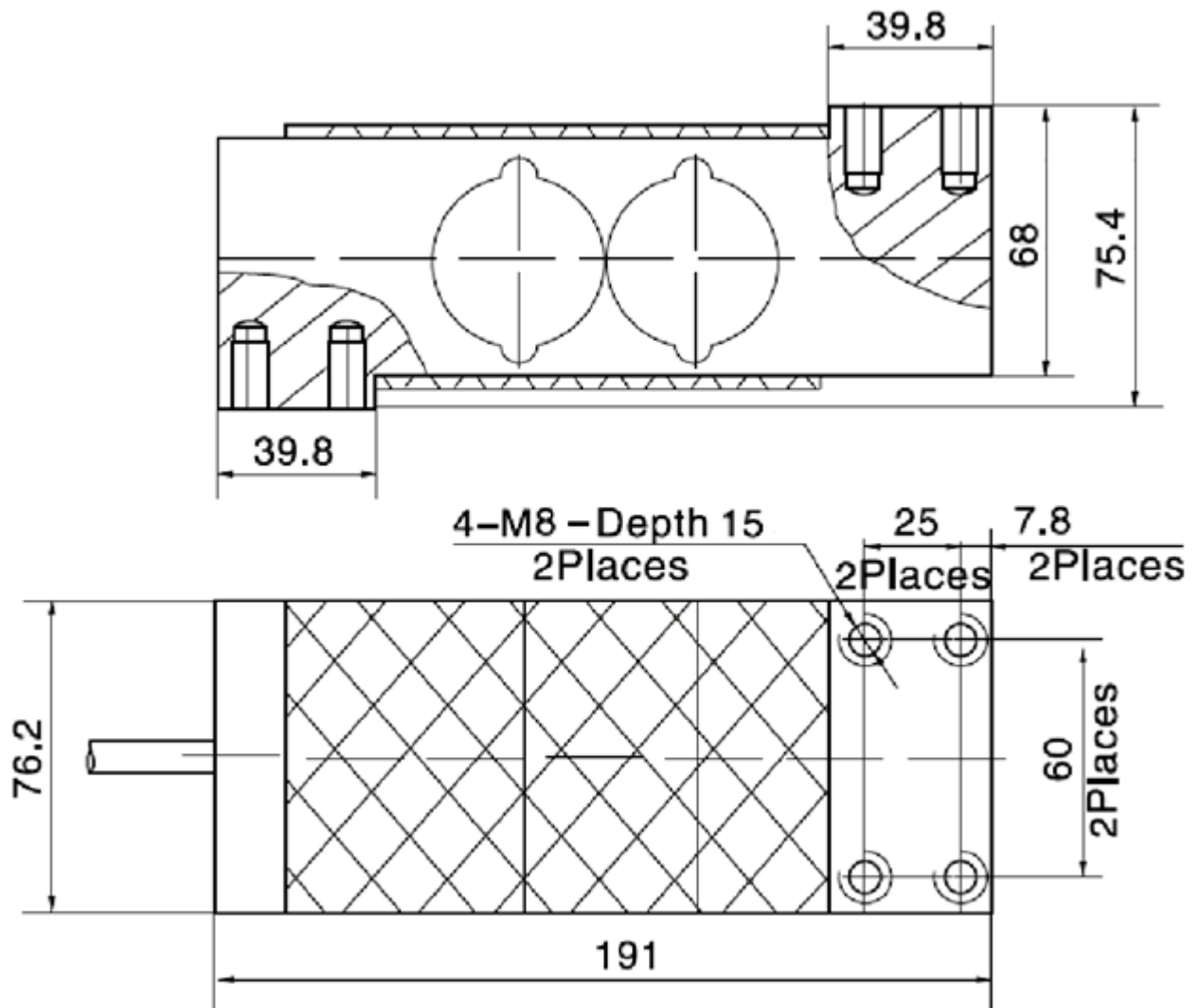
### 6-wire diagram



Specifications and dimensions are subject to change without notice and do not constitute any liability whatsoever.

# Type L6T Load Cell

Dimensions in mm



Specifications and dimensions are subject to change without notice and do not constitute any liability whatsoever.