

B6E3/H6E3



- Stainless/ alloy steel IP67 single point load cell
- Suitable for the pricing scales, bench scales, belt scales etc
- Maximum platform size: 400*400mm



Available models

Capacity	Accuracy	Full article description
xxkg	C3	B6E3/H6E3-C3-xxkg-3B
xxkg	C3	B6E3/H6E3-C3-xxkg-3B-S1
xxkg	C3	B6E3/H6E3-C3-xxkg-3G
xxkg	C3	B6E3/H6E3-C3-xxkg-3G-S1

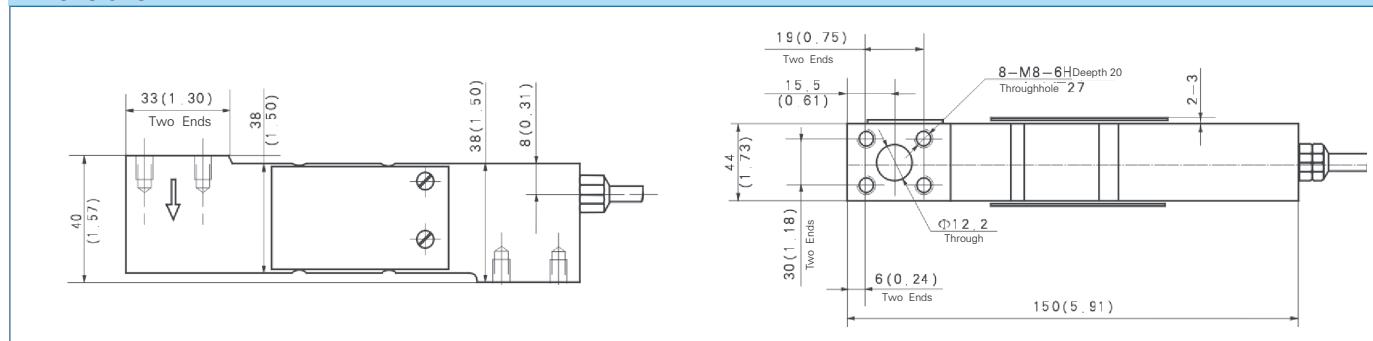
G:The Insulation resistance between bridge circuit and shielded wire is zero

Specification

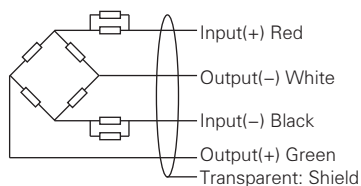
Maximum capacity (E_{max})	kg	20/30/50/75/100/150/200/250/300		
Accuracy class		C3		
Maximum number of verification intervals	N _{max}	3000		
Maximum number of load cell intervals (nLC)	V _{min}	$E_{max}/10000$		
Combined error	%FS	± 0.020		
Creep	%FS/30min	± 0.016		
Temperature effect on sensitivity	%FS/10°C	± 0.011		
Temperature effect on zero	%FS/10°C	± 0.015		
Output sensitivity (= FS)	mV/V	2.0 ± 0.2		
Input resistance	Ω	400 ± 20		
Output resistance	Ω	351 ± 3.5		
Insulation resistance	M Ω	≥ 5000 (50VDC)		
Zero balance	%FS	± 1.5		
Compensated temperature	°C	$-10 \sim +40$		
Operating temperature	°C	$-35 \sim +65$		
Excitation, recommended voltage	V	5~12 (DC)		
Excitation maximum	V	18 (DC)		
Safe overload	%FS	150		
Ultimate overload	%FS	300		
Corner correction		0.02% load value/100mm		
ATEX class(optional)		II1G Ex ia IIC T4	II1D Ex iaD20 T73°C	II3G Ex nL II C T4

Note: "S1" output sensitivity is 2.0 ± 0.002 mV/V, input resistance is 384 ± 4

Dimensions in mm



Wiring



- Adopt shielded, 4 conductor cable: $\Phi 5$ mm
- Standard cable length: 3m