

## LOAD CELL H8C4



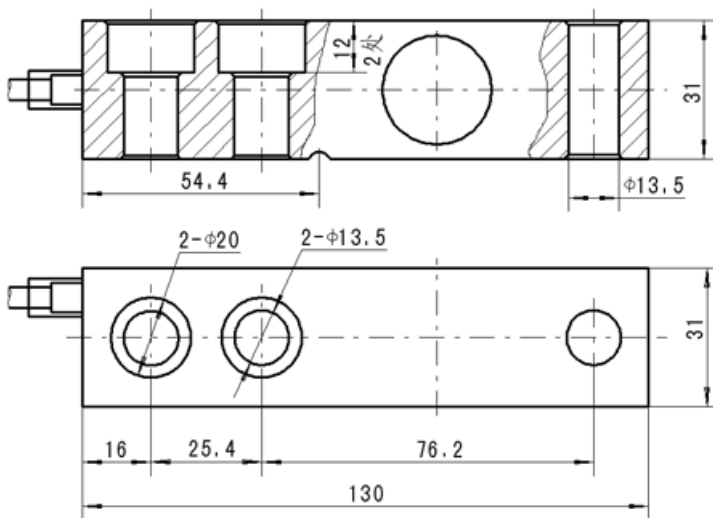
### Alloy Steel construction beam load cell

- Adhesive sealed
- Integrated structure and easy installation
- Suitable for pallet scales, platform scale and other electronic weighing devices.

### Specification

Capacity	t	1.0
Output Sensitivity	( mv/v)	2.0±0.002
Combined Error	( %FS)	0.02
Creep	( %FS/30min)	0.02
Temperature effect on Sensitivity	( %FS/10°C)	0.02
Temperature effect on Zero	( %FS/10°C)	0.02
Input resistance	( Ω)	350±3.5
Output resistance	( Ω)	351±2
Insulation resistance	( MΩ)	≥5000( 50VDC)
Zero balance	( %FS)	±1.0
Temperature compensation range	( °C)	-10~+40
Allowed temperature range	( °C)	-35~+65
Recommended excitation voltage	( V)	5~12( DC)
Maximum excitation voltage	( V)	18( DC)
Safe load limit	( %FS)	150
Ultimate load limit	( %FS)	200

### Dimension mm (inch)



### Cable Wiring :

4-wires cable with shielded, 2m cable length

