

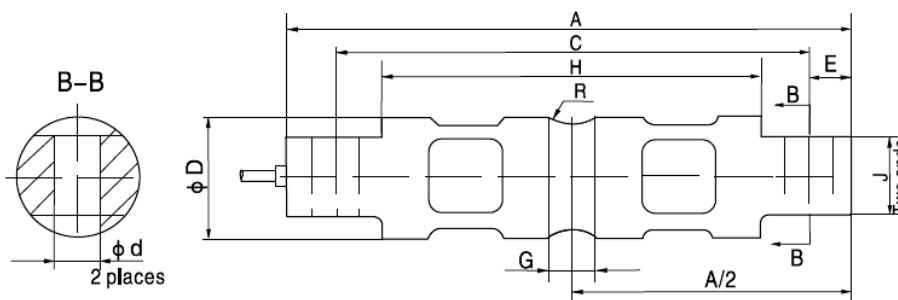
Capacity	Accuracy	Part-Number
xxx klb	C3	H9C-C3-xxxK-9B
xxx klb	C4	H9C-C4-xxxK-9B

Specification:

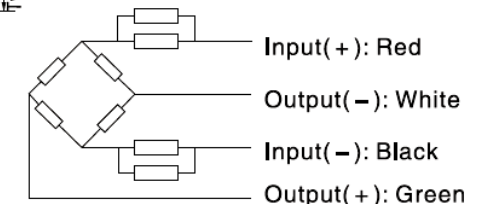
Accuracy class	Output sensitivity (= FS)	OIML R60 C3		OIML R60 C4
		3.0 ± 0.003		
Maximum capacity (E _{max})	klb	5, 10, 20, 30, 40, 50, 60, 75, 100, 150, 200, 250	50, 60, 75, 100, 150, 200, 250	5, 10, 20
Maximum number of load cell intervals (n _{LC})		3000		4000
Ratio of minimum LC verification interval Y = E _{max} / V _{min}		10000 – 15000 ¹	20000 ¹	10000 – 15000 ¹
Combined Error	%FS	≤ ± 0.020		
Minimum dead load	klb	0		
Safe overload	of E _{max}	150 %		
Ultimate overload	of E _{max}	300 %		
Zero balance	of FS	≤ ± 1.0 %		
Excitation, recommended voltage	V	5 ~ 12		
Excitation maximum	V	18		
Terminal resistance, input	Ω	700 ± 7		
Terminal resistance, output	Ω	703 ± 4		
Insulation impedance	MΩ	≥ 5000 (at 50VDC)		
Temperature range, compensated	°C	-10 ~ +40		
Temperature range, operating	°C	-35 ~ +65		
Element material		Alloy steel		
Ingress Protection (according to EN 60529)		IP67		
ATEX classification (optional)		II1G Ex ia II1C T4	II1D Ex iaD 20 T73°C	II3G nL IIC T4

Note 1: Y value is indicated on the load cell

Outline Dimensions in mm



Dimension Capacity (klb)	A	C	H	G	φD	J	φd	R	E
5~10	206.2 (8.12)	174.6 (6.88)	133.1 (5.24)	15.7 (0.62)	φ 43.2 (1.7)	28.4 (1.12)	φ 16.7 (0.66)	R12.7 (0.5)	15.7 (0.62)
20	206.2 (8.12)	174.6 (6.88)	133.1 (5.24)	21.3 (0.84)	φ 49.5 (1.95)	28.4 (1.12)	φ 16.7 (0.66)	R12.7 (0.5)	15.7 (0.62)
30~75	260.4 (10.25)	215.9 (8.5)	165.1 (6.5)	25.4 (1.0)	φ 76.2 (3.0)	60.2 (2.37)	φ 26.9 (1.06)	R25.4 (1.0)	22.4 (0.88)
100	285.8 (11.25)	241.3 (9.5)	190.2 (7.49)	31.0 (1.22)	φ 88.9 (3.5)	71.1 (2.5)	φ 26.9 (1.06)	R38.1 (1.5)	22.4 (0.88)
150	285.8 (11.25)	241.3 (9.5)	190.2 (7.49)	31.0 (1.22)	φ 99.1 (3.9)	71.1 (2.8)	φ 26.9 (1.06)	R38.1 (1.5)	22.4 (0.88)
200~250	408.9 (16.1)	330.3 (13.0)	254.0 (10.0)	31.7 (1.25)	φ 136.6 (5.38)	116.8 (4.6)	φ 39.6 (1.56)	R50.8 (2.0)	39.4 (1.55)



Wiring:

- Shielded, 4 conductor cable: φ 5mm(5–20klb) φ 8mm(30–250klb).
- Standard cable length: 9.3m.
- Cable type and cable length for customer's own application are available on request.
- Shield not connected to body.

Please visit our website WWW.ZEMIC.NL for the most actual information

Nr. 2011.02 H9C Rev4