

## Short description



- Aluminium-alloy IP65 single point load cell.
- Colourless anodized
- Available with flat ribbon or PVC cable.
- Suitable for counting and other electronic scales
- Maximum platform size: 350 x 450 mm

Non-OIML approved

## Available models

Capacity	Accuracy	Full article description
3kg	C3	L6C-C3-3kg-2B
5kg	C3	L6C-C3-5kg-2B
8kg	C3	L6C-C3-8kg-2B
20kg	C3	L6C-C3-20kg-2B
30kg	C3	L6C-C3-30kg-2B
50kg	C3	L6C-C3-50kg-2B

Specifications and dimensions are subject to change without notice and do not constitute any liability whatsoever.

## Detailed specifications L6C

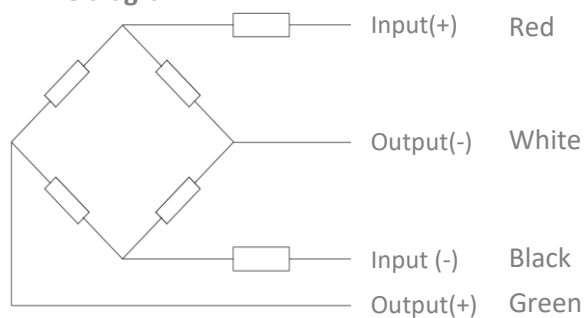
Accuracy class		C3
Output sensitivity ( = FS )	mV/V	1.9 ± 0.2
Maximum capacity ( E <sub>max</sub> )	kg	3, 5, 8, 20, 30, 50
Max.number of load cell intervals	n <sub>LC</sub>	3000
Ratio of min. LC verification interval	$Y = E_{max} / v_{min}$	7000
Combined Error	%FS	≤± 0.0230
Minimum dead load	Of E <sub>max</sub>	0%
Safe overload	of E <sub>max</sub>	120 %
Ultimate overload	of E <sub>max</sub>	150 %
Zero balance	of FS	< ± 2.0 %
Excitation, recommended voltage	V	5 ~ 15
Excitation maximum	V	18
Input resistance	Ω	406 ± 6
Output resistance	Ω	350 ± 3
Insulation resistance	MΩ	≥5000 ( at 50VDC )
Compensated temperature	°C	-10 ~ +40
Operating temperature	°C	-35 ~ +65
Storage temperature	°C	-40 ~ +70
Element material		Aluminium
Ingress Protection (acc. to EN 60529)		IP65
Recommended torque on fixation	Nm	M8: 20
Corner error		0.02% load/ 100 mm

## Wiring

### Wiring:

Shielded, 4 conductor cable.  
 Cable dimensions: Ø5.3mm.  
 Standard cable length: 2m.  
 Shield is connected to element.

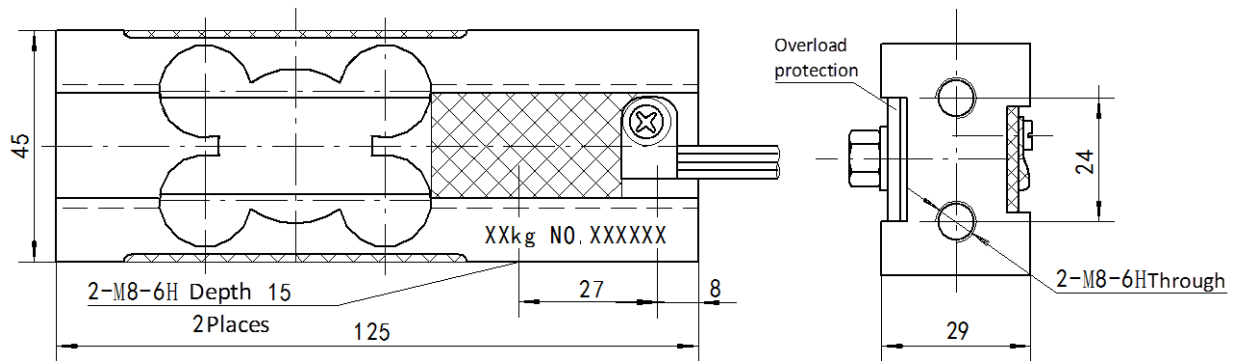
### 4-wire diagram



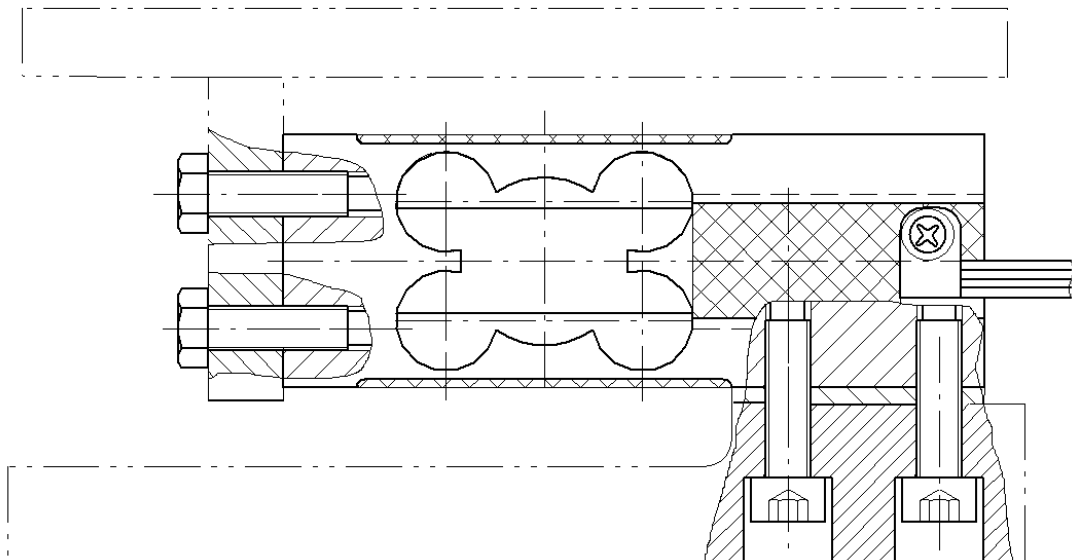
Specifications and dimensions are subject to change without notice and do not constitute any liability whatsoever.

# Type L6C Load Cell

## Dimensions in mm



## Mounting description



Specifications and dimensions are subject to change without notice and do not constitute any liability whatsoever.