

# Type L6D15 Load Cell



## Short description



- Aluminium-alloy IP65 single point load cell.
- Colourless anodized
- Suitable for pricing scales, bench scales, etc.
- Maximum platform size: 350 x 350 mm

 OIML test certificate no. D09-09.13

## Available models

| Capacity | Accuracy | Full article description |
|----------|----------|--------------------------|
| 6kg      | C3/C5    | L6D15-C3/C5-6kg-0.085B   |
| 9kg      | C3/ C5   | L6D15-C3/C5-9kg-0.085B   |
| 12kg     | C3/ C5   | L6D15-C3/C5-12kg-0.085B  |
| 15kg     | C3/ C5   | L6D15-C3/C5-15kg-0.085B  |
| 18kg     | C3/ C5   | L6D15-C3/C5-18kg-0.085B  |
| 30kg     | C3/ C5   | L6D15-C3/C5-30kg-0.085B  |

Specifications and dimensions are subject to change without notice and do not constitute any liability whatsoever.

# Type L6D15 Load Cell

## Detailed specifications L6D15

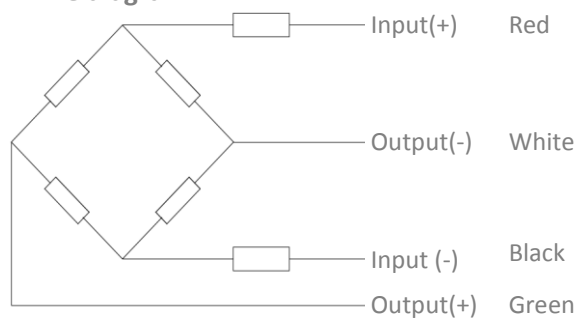
|  |                         |                      |             |
|--|-------------------------|----------------------|-------------|
| Accuracy class                         |                         | OIML R60 C3          | OIML R60 C5 |
| Output sensitivity ( = FS )            | mV/V                    | 2.0 ± 0.2            |             |
| Maximum capacity ( E <sub>max</sub> )  | kg                      | 6, 9, 12, 15, 18, 30 |             |
| Max.number of load cell intervals      | n <sub>LC</sub>         | 3000                 | 5000        |
| Ratio of min. LC verification interval | $Y = E_{max} / v_{min}$ | 15000                | 20000       |
| Combined Error                         | %FS                     | ≤± 0.0230            | ≤± 0.0170   |
| Minimum dead load                      | Of E <sub>max</sub>     | 0%                   |             |
| Safe overload                          | of E <sub>max</sub>     | 150 %                |             |
| Ultimate overload                      | of E <sub>max</sub>     | 300 %                |             |
| Zero balance                           | of FS                   | < ± 1.0 %            |             |
| Excitation, recommended voltage        | V                       | 5 ~ 12               |             |
| Excitation maximum                     | V                       | 18                   |             |
| Input resistance                       | Ω                       | 409 ± 6              |             |
| Output resistance                      | Ω                       | 350 ± 3              |             |
| Insulation resistance                  | MΩ                      | ≥5000 ( at 50VDC )   |             |
| Compensated temperature                | °C                      | -10~+40              |             |
| Operating temperature                  | °C                      | -35~+65              |             |
| Storage temperature                    | °C                      | -40~+70              |             |
| Element material                       |                         | Aluminium            |             |
| Ingress Protection (acc. to EN 60529)  |                         | IP65                 |             |
| Recommended torque on fixation         | Nm                      | 6                    |             |

## Wiring

### Wiring:

Shielded, 4 conductor cable.  
Cable diameter: Ø3.0mm.  
Standard cable length: 0.085m.  
Shield not connected to element.  
Cable jacket in PVC.

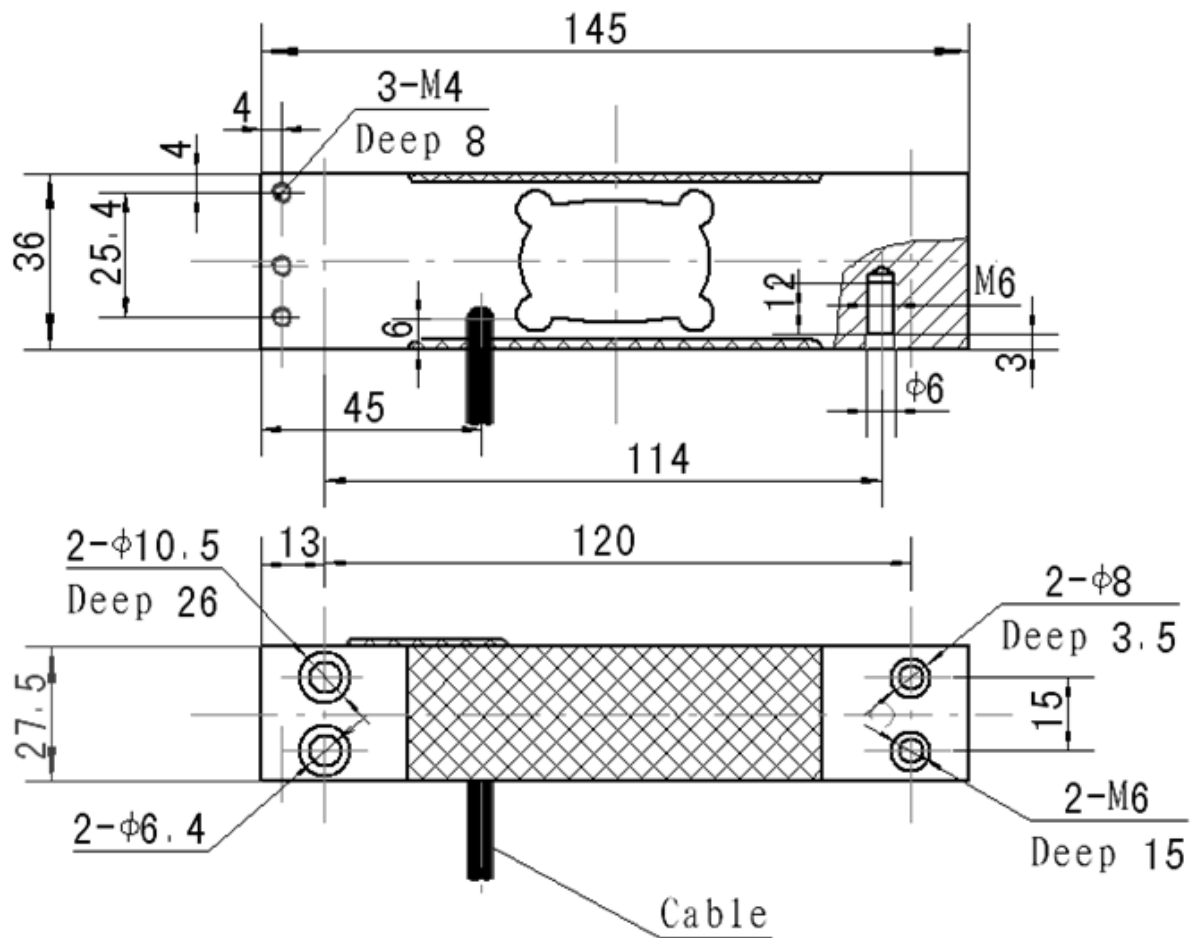
### 4-wire diagram



Specifications and dimensions are subject to change without notice and do not constitute any liability whatsoever.

# Type L6D15 Load Cell

Dimensions in mm



Note: Screws M6 class 8.8, screw rinsed with oil. Torque as in specifications table

Specifications and dimensions are subject to change without notice and do not constitute any liability whatsoever.